



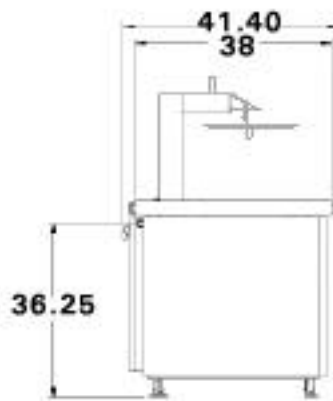
## Drawing Illustrations

---

The Drawing illustrations that follow show dimensions that can be used to determine space envelope requirements for installation and maintenance.

---

Side View



Top View

